

Proximity sensor

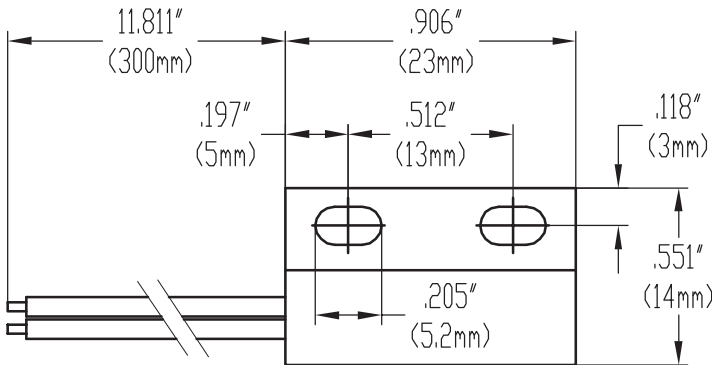
KLS26-MR2314 Proximity sensor

Material:

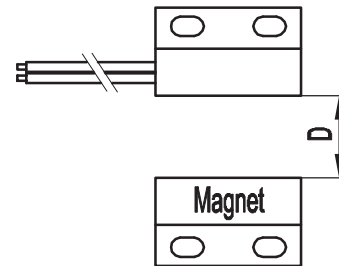
Magnet:Ferrite
Float body:ABS
Wire:UL 1007 24# black
Filling:epoxy glue
Reed switch:324

Electrical Specification:

Contact rating:10W
Max switching current:DC100/AC100
Breakdown voltage:150 min
Max switching voltage:DC0.5
Max carry current:1.0A
Contact resistance:100 max
Insulation resistance:10¹⁰ min
Get an electric shock life:10⁷
Applicable temperature:-10°C~+85°C

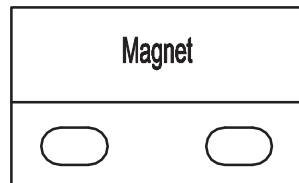


Movement explanation



Movement explanation:

When D=16±1mm, the reed switches will be closed.



ORDER INFORMATION

Product NO.: KLS26-MR2314

