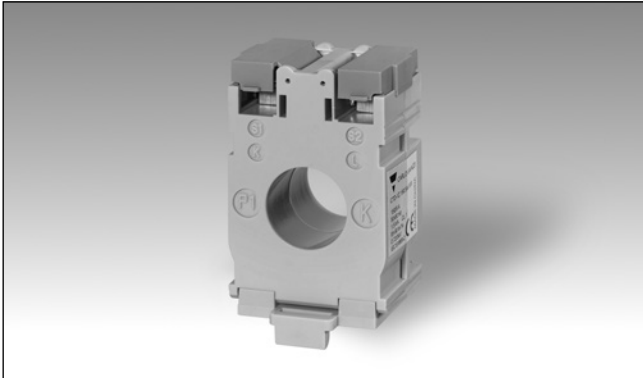


# Accessories

## AC Current Transformer

### Type CTD-1Z

CARLO GAVAZZI



- Cable type current transformer
- Class 1, currents from 50 to 300 A
- Removable DIN-rail mounting holder

## Product Description

Cable type current transformer with DIN-rail mounting facility. Rated primary currents from 50 to 300 A.

## Ordering Key

**CTD-1Z 100 5A XXX**

Model \_\_\_\_\_  
 Primary current \_\_\_\_\_  
 Secondary current \_\_\_\_\_  
 Option \_\_\_\_\_

## Type Selection

Primary current	Secondary current	Option
From 50 to 300 A	5A	XXX: none

(Refer to Range Table)

## Input Specification

Operating frequency	50/60Hz
Max. system voltage	0.72 kV
Rated insulation level	3 kV/1 min @ 50 Hz
Insulation class	B
Short-time current rating $I_{th}$	60 In/1s

## Output Specification

Rated secondary current	5A
-------------------------	----

## General Specification

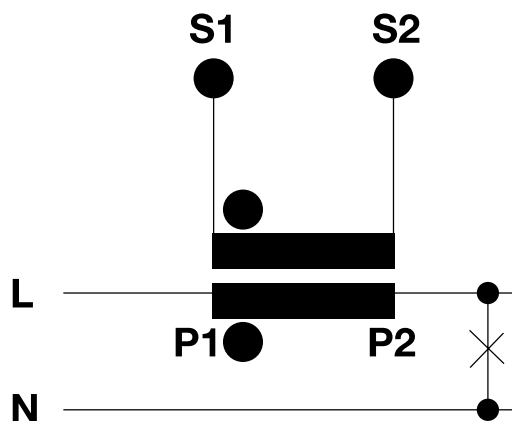
Standards	According to EN61869-2	Connection	Screw type (4x8 mm)
Housing material	PC	Cable cross section area	2.5mm <sup>2</sup>
Mounting	DIN rail	Torque	Max screws tightening torque relevant to terminal block screws: 2.6 Nm.
Standard accessories	DIN rail adapter Terminal block covers	Protection degree	IP20
Working temperature	-10°C to 50°C	Cable diameter	Max. 22 mm
Storage temperature	-10°C to 50°C	Weight	Approx. 140 g
Approvals	CE		

## Range Table

Model CTD-1Z from 50 A to 100 A		
Primary current A	Class	Burden (VA)
50	3	1.5
60	1	1.5
75	1	1.5
80	1	1.5
100	1	2.5

Model CTD-1Z from 125 A to 300 A		
Primary current A	Class	Burden (VA)
125	1	2.5
150	1	2.5
200	1	3.75
250	1	3.75
300	1	3.75

## Wiring Diagram



## Dimensions (mm)

