



Technical specification:

Rated voltage: IEC 61076-2-104	3pos 60 V	4pos 30 V
Current rating: IEC 61076-2-104	4 A at 40°C with 0,5mm ²	
Insulation resistance: IEC 60512	>= 100 MΩ	
Pollution degree: IEC 60664-1	3/2	
Degree of protection: IEC 60529	IP 67, in mated condition	
Temperature range: IEC 60664-1	-30°C ... +85°C	
Mating cycles: IEC 60512-9a	>= 100	
Wire cross section:	AWG 20 / max 0,5 mm ²	

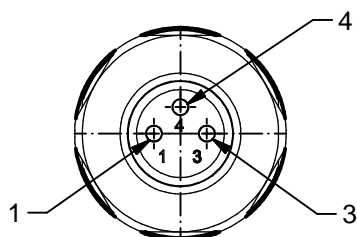
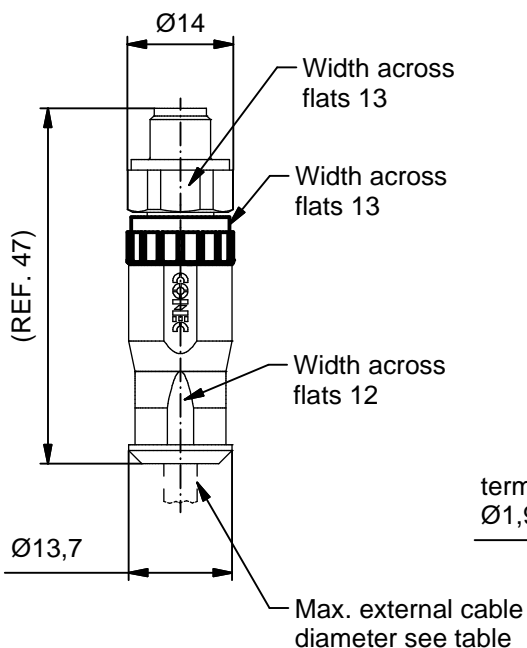
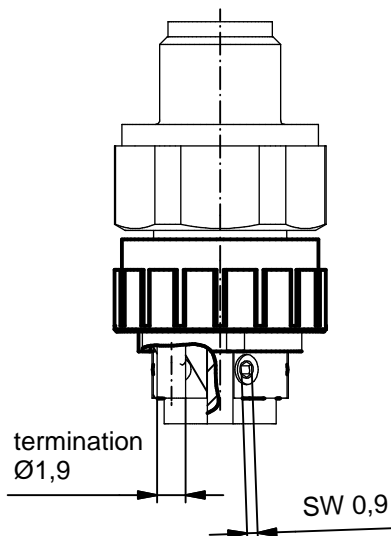
Materials:

Contact:	CuZn
Contact plating:	Au over Ni in mating area
Contact carrier:	PA6, UL 94
Cable sealing:	NBR
O-Ring:	Silicone / NBR
Coupling nut:	CuZn, Ni
Housing:	PA6 GF, UL 94

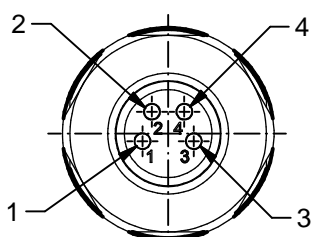
**Installation specification for locking screw
to counter connector:**

Recommended torque:	0,4 Nm
Conec installation tool:	Torque wrench: 36-000200 Insert across flats 13: 36-000220

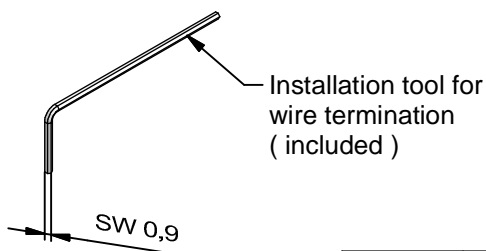
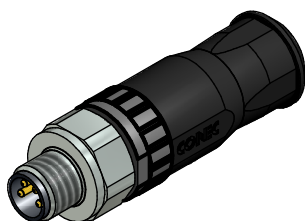
inner view
(2 : 1)



3 pos



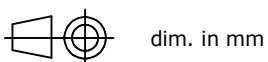
4 pos



Part no:	Description:	Pos:	Cable-Ø:
42-00009	SAL - 8 - RSC3-S	3	4 - 5,5mm
42-00011	SAL - 8 - RSC4-S	4	4 - 5,5mm

DO NOT ALTER CAD DRAWING BY HAND

Index: b 06.12.11 K.H. Ä4175
font size adapted;dimension termination adapted;Installation specification adapted



dim. in mm

tolerance of cable:

general tolerance:	0 ± 0,50mm
	0,0 ± 0,25mm
	0,00 ± 0,10mm



THIS DRAWING MAY NOT BE COPIED OR REPRODUCED IN ANY WAY, AND MAY NOT BE PASSED ON TO A THIRD PARTY WITHOUT WRITTEN PERMISSION. OWNERSHIP AND COPYRIGHT OF CONEC GmbH

title:
Male connector M8x1, field attachable , axial, screw termination

dwg no:
42K1A315

part no: see table

