

SIGNAL TRANSMITTER MODEL: ZAD-IP67



Made in Poland
CE

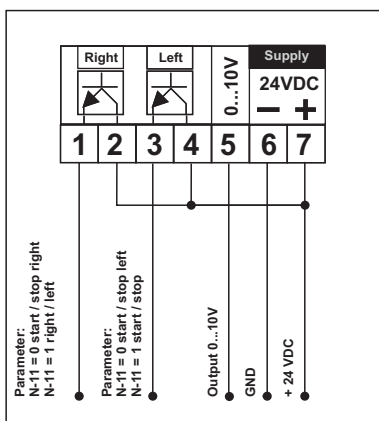
Features

- works with inverters and BLDC motor controllers
- high aesthetics of workmanship
- high degree of protection IP67
- programmable range of the displayed value, dot position, minus sign lock.
- LED traffic lights for work direction
- programmable output voltage range.
- programmable start value or memory of the last operating value
- two output voltage control modes.
- programmable rise and fall time of the output voltage
- two types of transistor output control
- PNP or NPN controlled transistor outputs
- PG12 cable gland included

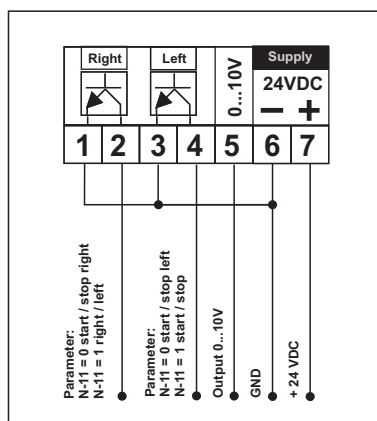
Technical data

Model	ZAD-IP67
Supply voltage / current consumption	13...27VDC / [70mA 24VDC]
Output voltage / maximum current	0...11VDC / 25mA
Range displayed	-999...9999
Transistor digital outputs	35V / 50mA
Connections	Terminal strip 7x1,5mm ²
Operating temperature	-25...60 °C
Ingress protection	IP-67
Cable gland	M12 thread, cable diameter 3..6,5mm ²

Positive voltage control



Negative voltage control



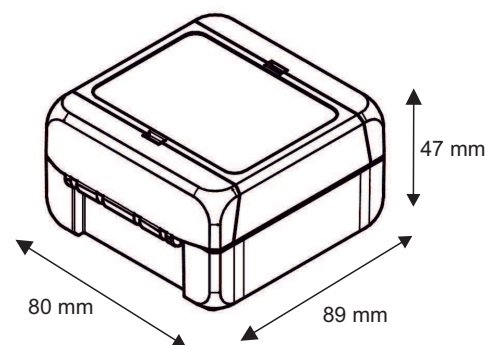
Programmable parameters

- [n- 0] lower value of indications [-999...0...9999]
 - [n- 1] upper value of indications [-999...100...9999]
 - [n- 2] position of decimal point [0...3]
 - [n- 3] minus sign lock [0...1]
 - [n- 4] voltage value after turning on the power [n- 0...n- 1]
 - [n- 5] lower value of voltage [0...100.0] %
 - [n- 6] upper value of voltage [0...100.0] %
 - [n- 7] analog output control
 - [0] the set voltage is on the output terminals
 - [1] the set voltage will appear on the output terminals after pressing the right / left start button
 - the set voltage will drop to the value of parameter n-4 after pressing the stop button
 - [n- 8] voltage rise time [1...100] s
 - [n- 9] voltage fall time [1...100] s
 - [n-10] set value memory [0] inactive [1] active ,
if n-10 = 1 then n- 4 will store the set point
 - [n-11] control of digital outputs
 - [0] output right = start/stop right , output left = start/stop left
 - [1] output right = right/left , output left = start/stop
 - [n-12] menu lock [0] inactive [1] active
press and hold stop for min. 5 seconds after power on to unlock
- stop button = enter / exit menu , up/down buttons = change value

Programming description

Press the stop button for 2 seconds, the display will show n-0
Use the up / down buttons to select the parameter in the range n-0...n-13
Press the stop button again for 2 seconds, the parameter value will appear on the display
Use the up/down buttons to change the value
Briefly press the stop button to save the changes
Briefly press the stop button to exit the menu

Dimensions / weight: 140g



Output voltage range

range	parametr value %	
V	n- 5	n- 6
0-11	0	100,0
0-10	0	88,0
0-5	0	44,0
5-10	44,0	88,0

