

Plastic cylindrical shape capacitive sensors **CR30S** series



Features

- ◆ Be able to detect both metal and nonmetal objects;
- ◆ Be able to detect various media via nonmetallic container;
- ◆ Reliable liquid level detecting;



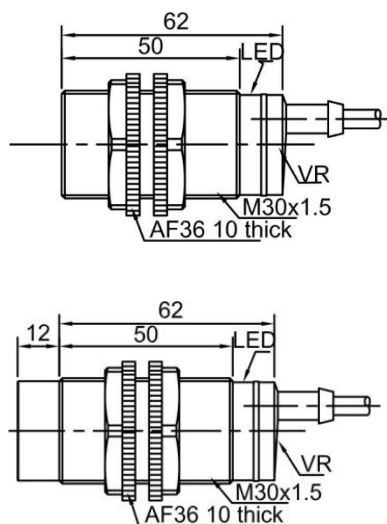
Part number

AC/DC 2 wires NO	CR30SCF10SBO	CR30SCN15SBO	AC/DC 2 wires NC	CR30SCF10SBC	CR30SCN15SBC
------------------	--------------	--------------	------------------	--------------	--------------

Technical specifications

Mounting	Flush	Non-flush	Leakage current [I _r]	AC:≤3mA	DC:≤1mA
Rated distance [S _n]	10mm (adjustable) 15mm (adjustable)		Circuit protection	
Assured distance [S _a]	0...8mm	0...12mm	Output indicator	Yellow LED	
Dimensions	M30*62mm	M30*74mm	Ambient temperature	-25°C...70°C	
Output	NO/NC (depends on part number)		Ambient humidity	35-95%RH	
Supply voltage	20...250 VAC/DC		Switching frequency [F]	AC: 15 Hz	DC:40Hz
Standard target	Fe 45*45*1t		Voltage withstand	2000V/AC 50/60Hz 60S	
Switch-point drifts [%/Sr]	≤±20%		Insulation resistance	≥50MΩ (500VDC)	
Hysteresis range [%/Sr]	3...20%		Vibration resistance	10...50Hz (1.5mm)	
Repeat accuracy [R]	≤3%		Degree of protection	IP67	
Load current	AC:≤300mA	DC:≤100mA	Housing material	PBT	
Residual voltage	AC:≤10V	DC:≤8V	Connection type	2m PVC cable	

Dimensions



Wiring diagram

